

Heavy Duty Front Bumper

2007-2022 Jeep Wrangler & Gladiator JK, JL, JT Front Bumper

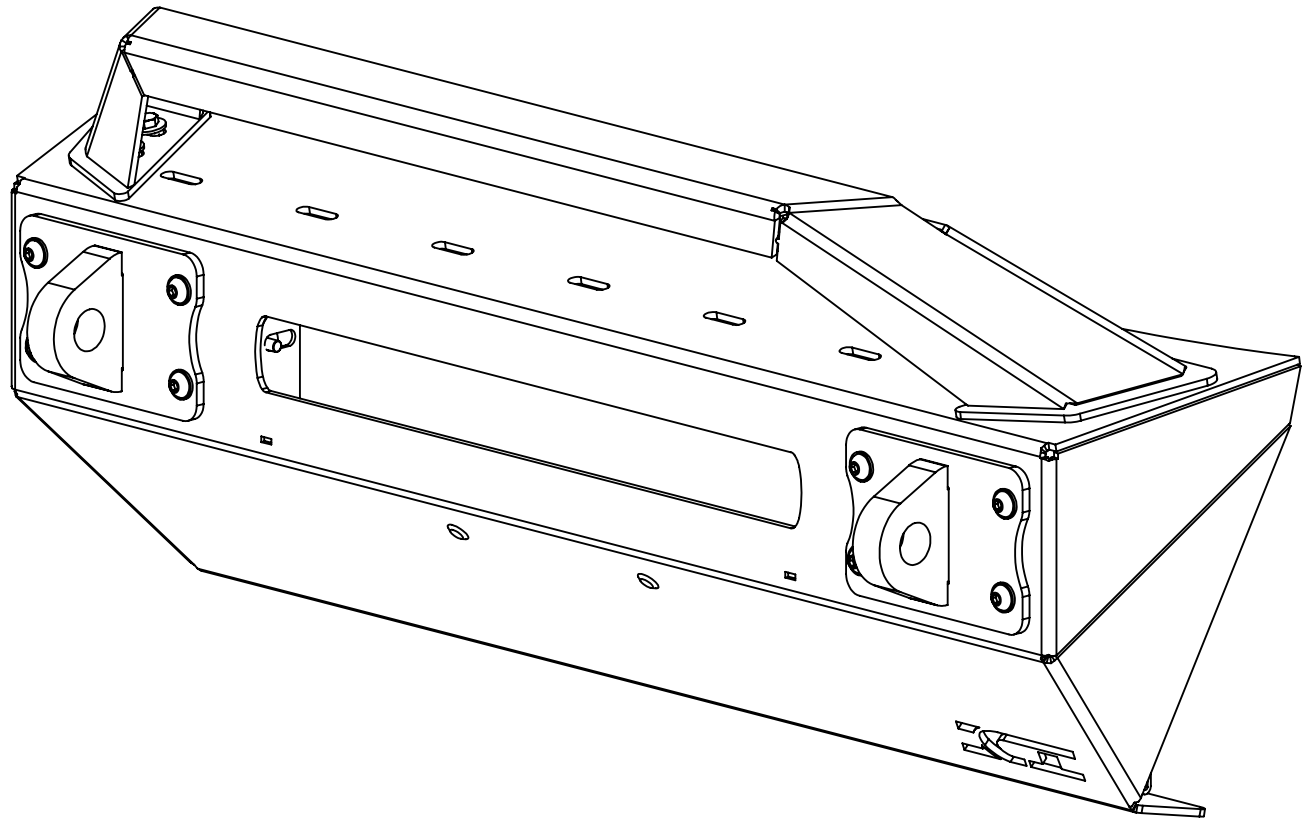
AL-FBM57JPN-RT

11/21/22

Page 1

AL-FBM57JPN-RT Hardware Kit

- (8) – M10-1.5x35mm Button Head Bolts
- (8) – M10 Flat Washers 30mm
- (8) – M10 Lock Washers
- (8) – M10 Flat Washers 20mm
- (8) – M10-1.5 Hex Head Nuts
- (2) – M8-1.25x30mm Hex Head Bolts
- (4) – M8-1.25 Hex Flange Nuts
- (4) – M8-1.25 Hex Head Nuts
- (8) – M8 Lock Washers
- (16) – M8 Flat Washers 24mm
- (2) – M8 Hex Nylock Nut
- (2) – M8 Hex Head Flanged Bolt 16mm
- (6) – M8 Hex Head Flanged Bolt 25mm
- (2) – M8-1.25x30mm Hex Countersunk Bolts
- (2) – M8 Finish Washers



Component List

- 1 – Aluminum Bumper (AL-FBM57JPN-RT)
- 1 – Bolt on RT Light Bar
- 2 – D-Ring Shackle Mounts
- 2 – BP5860 Lower Mounting Tab for JL/JT (1 Driver/1 Passenger)
- 2 – 100526 Lower Mounting Tab for JK (1Driver/1 Passenger)
- 2 – BP5883 T-Bolts (M8-1.25)
- 1 – 20" LED Light Bar
- 4 – ½" Plastic Plugs (RT Bar Hole Plugs)
- 2 – LED Light Bar Mounting Tabs

**CHECK OUT INSTALLATION
VIDEO HERE** →

https://www.youtube.com/watch?v=sdvu_A5Vehs



Step by Step Installation:

1. Start by unplugging the factory wiring harness on front bumper (Located on outside face of passenger side frame rail.)
2. Remove (2) plastic push pins from plastic filler panel on top of frame rails.
3. Remove (2) bolts attaching skid plate to the frame, now remove (6) plastic push pins attaching skid plate to the front bumper assembly.
4. Remove (8) bolts attaching bumper assembly to the frame, there are (4) per side. Carefully remove bumper from vehicle and set to the side.
5. Install the provided lightbar into the Alumilite bumper, you will use the provided light bar mounting tabs and hex head screws (See FIG 1). Center the light bar in the opening in the bumper and tighten. You can access the screws in the side of the light bar once the bumper is installed to adjust the light for alignment.
6. Now you can install the RT light bar mount, if desired. Use the provided M8 hardware to attach the light bar to the top of the bumper, align the light bar mount and fully tighten. If not installing the RT light bar, plastic plugs are provided for the mounting holes in top of the bumper. (SEE FIG 2).
7. Next, start by attaching the BP5860 (JL/JT) OR 100526 (JK) brackets to the inside bottom frame rails with the provided T-bolts. Refer to the diagram for orientation. Do not fully tighten the brackets yet (SEE FIG 3).
8. Install the bumper by lifting it onto the frame of the Jeep, align the mounting holes in the front of the bumper with the holes in the front of the frame. We recommend installing (1) bolt in each side of the bumper before trying to install the shackle mounts. This will keep the bumper in place and allow you to easily align the shackle mounts without scratching anything.
9. Once the bumper is held in place with a bolt on each side, install a bolt through the shackle mount, bumper and frame and start a nut on the backside. Next, pull out the bolt only holding the bumper on and install it through the shackle mount, bumper, and frame. You should now have (2) bolts installed and everything lined up. Install the remaining (2) bolts but do not fully tighten yet (SEE FIG 4).
10. Repeat step 8 for the opposite side. Once the shackle mounts and all (8) bolts are installed loosely, align the bumper with the lower brackets on the bottom of the frame. Using the provided M8 hardware, attach the lower lip of the bumper to the mounting brackets. Make sure the brackets are flat against the bumper and the frame and the bumper is pushed up against the front frame face before tightening.
11. Once the bumper is aligned with the lower brackets and frame, fully tighten the bumper to the frame, lower mounts to the frame and lower mounts to the bumper.

Heavy Duty Front Bumper

2007-2022 Jeep Wrangler & Gladiator JK, JL, JT Front Bumper

AL-FBM57JPN-RT

11/21/22

Page 3

FIG 1

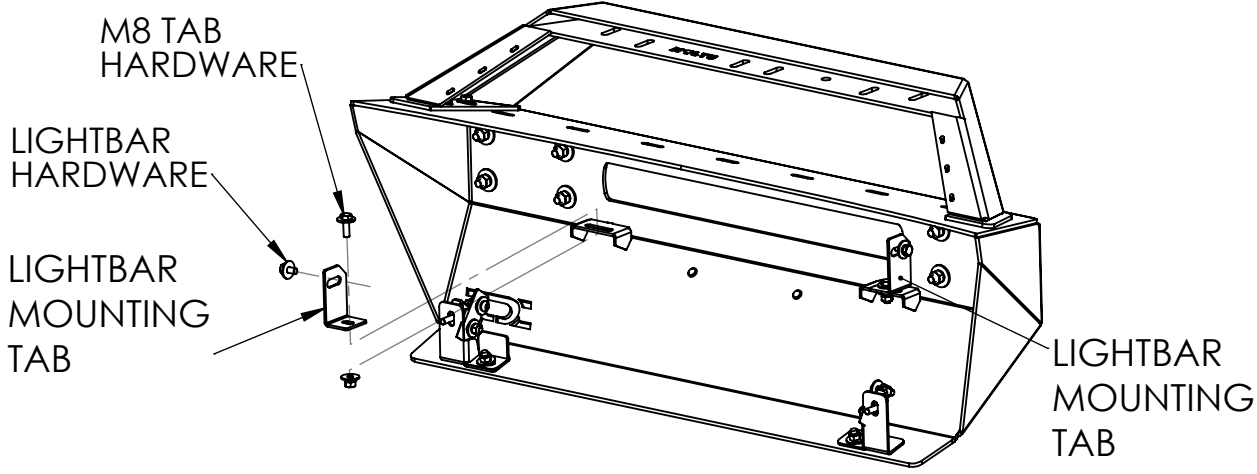


FIG 2

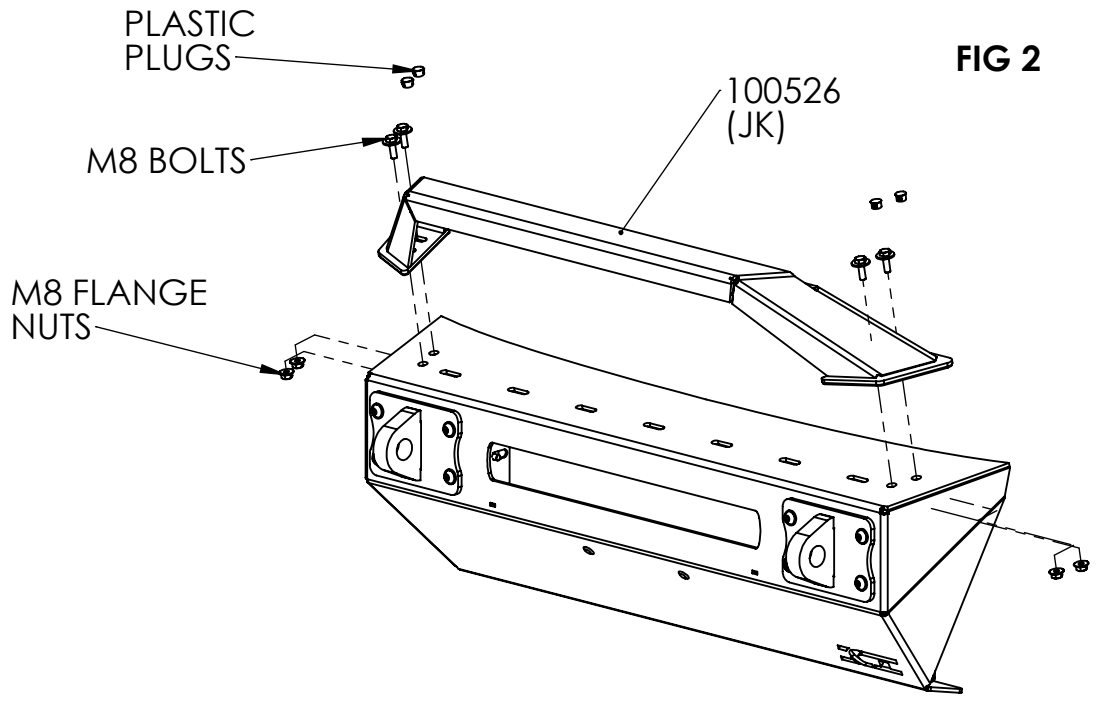


FIG 3

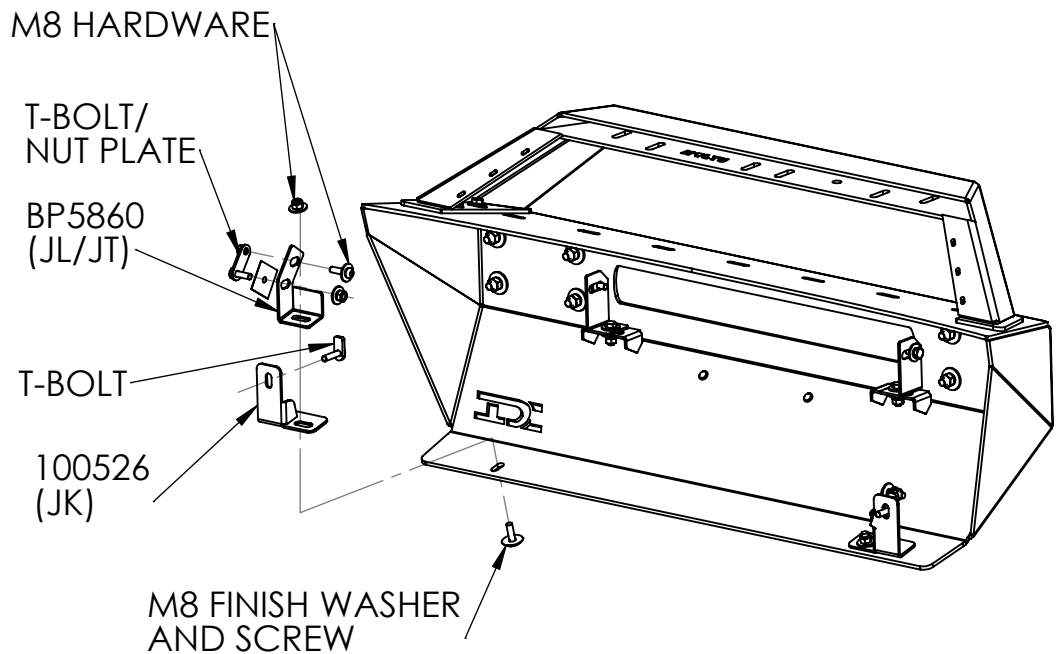


FIG 4

